

## eVIEW

Analog Addressable  
Serial Annunciator

VF1172-1M (Red)

VF1172-4M (Gray)



Red version



Gray version

### Standard Features

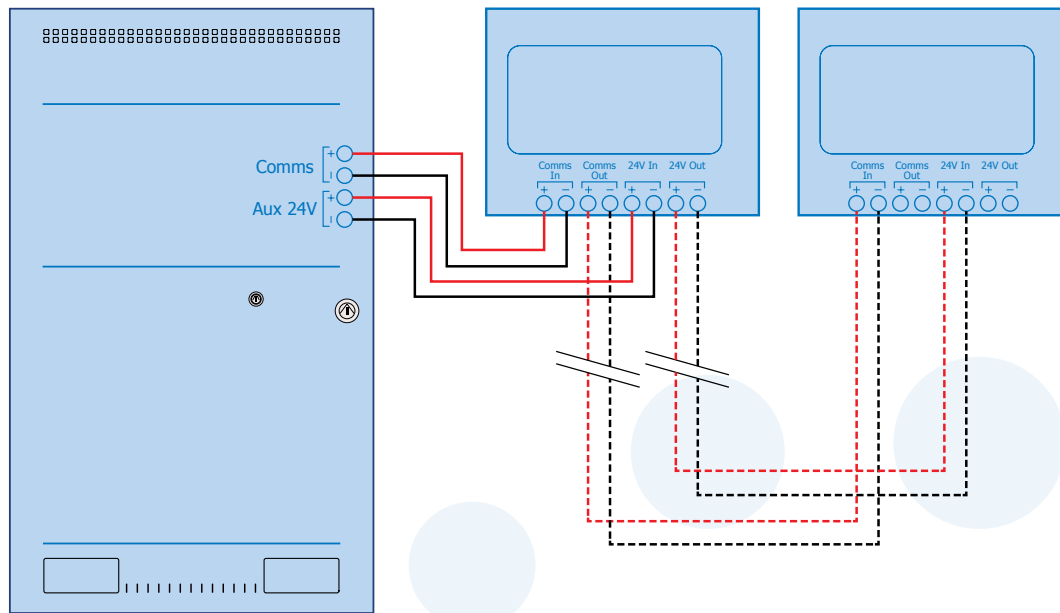
- Available in Red or Gray
- Up to 15 annunciators can be connected to each Elite or Elite RS fire control panel
- Large liquid crystal display (240 x 64 pixels)
- High brightness LED indications
- Internal sounder
- Replicates all panel controls (Elite)
- Simple, two-wire serial connection
- Small, Elite style enclosure
- Removable electronics for easy installation
- 24V DC powered
- Low power consumption
- Multi language options
- Connection supervised by Elite fire control panel
- Recess mounting using optional VF1173 kit

### Product Overview

- Designed and manufactured to the highest standards in a quality controlled environment the eVIEW fire alarm annunciator provides a simple and convenient method of extending the controls and indications of the Elite fire alarm control panel to other locations.
- The large, graphic liquid crystal display and high brightness LED indicators duplicate the indications on the Elite fire alarm control panel at up to 15 additional locations via a simple, two-wire serial data connection.
- The eVIEW is powered by 24V DC (which can be via an additional 2 conductors from the control panel or local 24V DC listed supply).
- eVIEW is housed in a small enclosure which is styled similarly to the Elite control panel and is ideal for installations where a large control panel would be detrimental to décor such as entrance halls.
- Up to 15 eVIEW annunciators can be connected to each control panel on the Elite network making eVIEW ideal where multiple points of indication and/or control are required such as nurses stations or shop units.



## Elite series control panel



The VES trim ring allows the eVIEW annunciator to easily be recess mounted. VES trim rings provides placement tabs that fold behind dry wall. Traditional screw mounting is available by 2 openings in each of the vertical frames. Conduit entry is not blocked by trim ring.

## Technical Specifications

<b>Construction:</b> 18AWG sheet steel
<b>Cable entry:</b> 4 knockouts in back of box and 1 in left and right sides
<b>Dimensions:</b> 10.4"W x 7.5"H x 1.6"D
<b>Weight:</b> 3.5 lbs.
<b>Finish :</b> RAL3002 (Red) or BS 00 A 05 (Gray)
<b>24V supply:</b> 21 to 30V DC
<b>Maximum ripple current:</b> 200 millivolts
<b>Quiescent current of panel in mains fail:</b> 0.03 Amps
<b>Serial data connection:</b> 2 core RS485 (Up to 3937 feet total cable length)
<b>Maximum terminal capacity:</b> 12AWG

## Trim Ring Technical Specifications

<b>Part number:</b> VF1173-4M
<b>Outer Dimensions:</b> 11.3"W x 8.6"H x 1.3"D
<b>Inner Dimensions:</b> 10.3"W x 7.4"
<b>Color:</b> Available in Red (VF1173-10) or Gray (VF1173-40)